

**\*INSTALLING VANITY WITH TWO PEOPLE IS HIGHLY RECOMMENDED\***

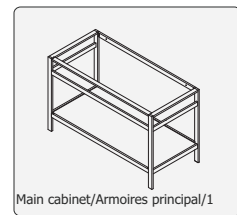
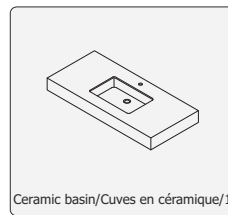
**Box Contents**

- Ceramic Basin/Countertop
- Vanity Base/Cabinet

**Tools needed for Installation**

- Adjusting feetr
- Hexagon Socket Screws
- Hexagon Socket Screws
- Measuring Tape
- Calking & Calking Gun

**Main Body Parts/La partie principale du corps**



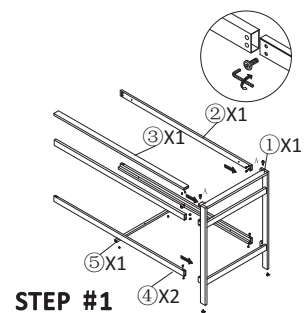
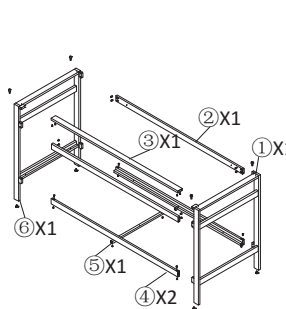
**Installation Tips**

- Silicone: Corners and backsplash
- Secure Vanity to Wall

• Please check your product packaging to make sure the included accessories are in the "list of standard accessories". If any parts are missing, please contact your local dealer immediately.

**Installation, removal and adjustment of Hinges on Vanity**

Exploded general drawing  
Schéma général de la décomposition



**Erecting Tool/Outils d'assemblage**

- |  |  |   |  |
|--|--|---|--|
|  |  |   |  |
| Fixing Screw x 4pcs<br>Vis de fixation x 4 | Adjusting feetr x 4pcs<br>Pieds de réglage x 4 | Hexagon Socket Screws x 22pcs<br>Vis hexagonales intérieures x 22 | Allen Wrench x1pc<br>Clé hexagonale interne x1pc |



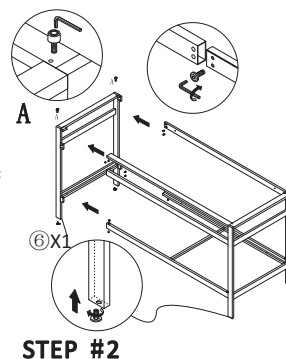
Measuring Tape



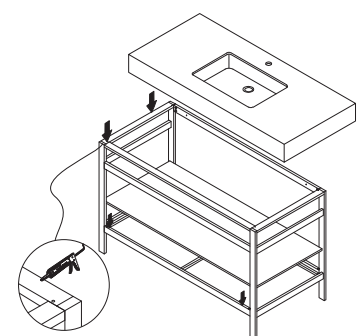
Calking & Calking Gun



Mechanical Screwdriver



STEP #2



STEP #3

